



Indigenous Services
Canada

Services aux
Autochtones Canada

ONTARIO JOINT GATHERING

May 14-15, 2019, 8-5pm

Chelsea Hotel, 33 Gerrard St W, 2nd floor

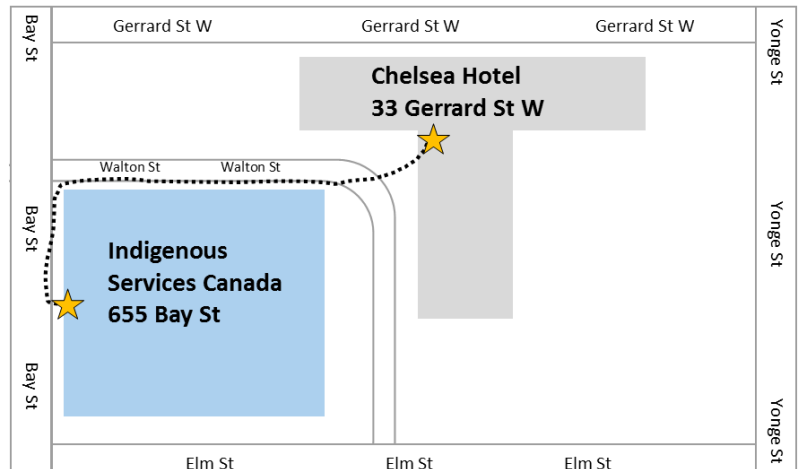
#ONJOINTGATHERING

Celebration of Joint Accomplishments

May 13, 2019, 5-8pm

Indigenous Services Canada, 655 Bay St, 3rd floor, Dodem Kanonhsa' Cultural Lodge

- » Reception with light refreshments and a slideshow featuring Joint Accomplishments
- » Flag presentation by Mississaugas of the Credit First Nation (6:00pm)
- » Performance by the Ukwewuwe Connection Dancers (6:30pm)
- » ISC leadership will be available for meetings with individual First Nations





ONTARIO JOINT GATHERING

TORONTO | MAY 14-15, 2019

#ONJOINTGATHERING

Day 1 | Tuesday May 14, 2019

8:00am	Hot Breakfast	Main Hall
	Opening	
9:00am	<ul style="list-style-type: none"> - Opening prayer by Elder Gary Sault, Mississaugas of the Credit First Nation - Remarks by Chief Stacey Laforme, Mississaugas of the Credit First Nation 	Churchill
	Welcome	
9:20am	<ul style="list-style-type: none"> - Anne Scotton, Regional Director General, Indigenous Services Canada - Garry Best, Regional Executive, First Nations and Inuit Health Branch, ISC 	Churchill
	Context Setting	
9:30am	<ul style="list-style-type: none"> - Ontario Regional Chief RoseAnne Archibald, Chiefs of Ontario 	Churchill
	Video Address to Delegates	
10:00am	<ul style="list-style-type: none"> - National Chief Perry Bellegarde, Assembly of First Nations 	
	Youth Address by Ontario First Nations Young Peoples Council	
10:05am	<ul style="list-style-type: none"> - Kamryn Whiteye, Association of Iroquois and Allied Indians - Mark B. Hill, Six Nations of the Grand River First Nation - Connor Martin, Six Nations of the Grand River First Nation - Richelle Ritchie, Independent First Nations - Randall Crowe, Nishnawbe Aski Nation 	Churchill
10:30am	Networking Break / Visit Exhibitors	Main Hall
	Regional Report Out	
10:45am	<ul style="list-style-type: none"> - Garry Best, Regional Executive, First Nations and Inuit Health Branch, ISC - Anne Scotton, Regional Director General, Indigenous Services Canada 	Churchill
	Ontario Ministry of Indigenous Affairs	
11:45am	<ul style="list-style-type: none"> - Deborah Richardson, Deputy Minister 	Churchill
	Lunch / Visit Exhibitors	
12:15pm	<ul style="list-style-type: none"> - Premier Screening of the Youth Documentary on Community Well-Being 	Main Hall

Moderators:

Michael Etherington, Indigenous Relations Consultant
Susan Troniak, Senior Funding Services Officer, ISC, Ontario Region



ONTARIO JOINT GATHERING

TORONTO | MAY 14-15, 2019

#ONJOINTGATHERING

Day 1 | Tuesday May 14, 2019

1:00pm

Concurrent Sessions	Jordan's Principle: A Navigator's Perspective	PTO Navigator Network representatives Leeann J Shimoda, Independent First Nations April Sawanas, Nishnawbe Aski Nation	Churchill
	Asset Management: Smart Nation Approach	Ryan Tabobondung, Waabnoong Bemjiwang Association of First Nations	Mountbatten A
	Dispute Resolution to Support Child Well-Being	Leanna Farr, Legal Counsel, Anishinabek Nation	Mountbatten B

2:00pm

Concurrent Sessions	South and North Perspectives on Long-Term Care and Eldercare	Chief R. Donald Maracle, Mohawks of the Bay of Quinte Chief Matthew Dupuis, Red Rock Indian Band	Churchill
	Water and Wastewater	Phil Tangie, Manager, Bimose Water Hub Dave Mellor, Technical Service Advisor	Mountbatten A
	Community Economic Development	Michael Pelletier, Director of Economic Development, Fort William First Nation John Mason, Thunder Bay Community Economic Development Commission	Mountbatten B

3:00pm **Networking Break / Visit Exhibitors** Main Hall

3:15pm **Regards from Service Canada**
- Tom Azouz, Director General Program Delivery Branch Churchill

3:30pm **Indigenous Homes Innovation Initiative**
- Natalka Cmoc, A/Director General Community Infrastructure Branch, ISC Churchill

4:00pm **Canada Mortgage and Housing Corporation**
- Terri Gibbons, Ontario Regional Manager, Housing Solutions Churchill

4:30pm **End of Day Drum Performance**
- All Nations Junior Drum Group Churchill



ONTARIO JOINT GATHERING

TORONTO | MAY 14-15, 2019

#ONJOINTGATHERING

Day 2 | Wednesday May 15, 2019

8:00am **Hot Breakfast** Main Hall

9:00am **Welcoming Remarks**
- Michael O'Byrne, Associate Regional Director General, ISC Ontario Region Churchill

9:15am **Video Address to Delegates**
- **The Honourable Seamus O'Regan, Minister, Indigenous Services Canada** Churchill

9:20am **Dialogue with Delegates**
- Jean-François Tremblay, Deputy Minister, Indigenous Services Canada
- Joanne Wilkinson, Assistant Deputy Minister, Child and Family Services Reform, Education and Social Development Programs and Partnerships, ISC Churchill

10:30am **Networking Break / Visit Exhibitors** Main Hall

10:45am **Tribal Council Network Report Out**
- Leea Litzgus, Associate Regional Director General, ISC, Ontario Region
- Don Morrison, Executive Director, Bimose Tribal Council Churchill

11:15am **A Recognition-Based Approach to Reconciliation**
- Joe Wild, Senior Assistant Deputy Minister, Treaties and Aboriginal Government, Crown-Indigenous Relations Churchill

12:00pm **Lunch**
- **Performance by Midnight Shine**
2019 Indigenous Music Awards nominee Churchill





ONTARIO JOINT GATHERING

TORONTO | MAY 14-15, 2019

#ONJOINTGATHERING

Day 2 | Wednesday May 15, 2019

1:00pm

Concurrent Sessions	Comprehensive Community Planning	Alice Sasines, Councillor, AZA First Nation Dan Paradis, Senior Project Manager and Janet Knight, Senior Community Planner, Nishnawbe Aski Development Fund	Churchill
	Canadian Human Rights Tribunal Claims Process	Catherine Thai, Director, Child and Family Services Reform and Transformation, ISC	Mountbatten A
	Matawa Health System Hub Model	Frances Wesley, Health Co-op Planner and Allison Linklater, Specialized Nurse Consultant, Matawa First Nations Management	Mountbatten B

2:00pm

Concurrent Sessions	A First Nations approach to workplace violence and harassment legislation	Audrey Gilbeau, Executive Director, Nokiiwin Tribal Council	Churchill
	Approaches to Community Well-Being	Janet Gordon, Chief Operating Officer Emily Paterson, Director, Community Well-being Sioux Lookout First Nations Health Authority	Mountbatten A
	Urban Support and Child Welfare Services	Jeffrey Schiffer, Executive Director, Native Child and Family Services of Toronto	Mountbatten B

3:00pm

Networking Break / Visit Exhibitors

Main Hall

3:15pm

Ministerial Joint Advisory Committee on the New Fiscal Relationship

- Chief Laurie Carr, Hiawatha First Nation
- Daniel Wilson, Special Advisor, Assembly of First Nations
- John Lees, President of Orbis Risk Consulting
- Lynn Newman, Director General, Fiscal Arrangements, ISC

Churchill

4:00pm

Closing Remarks

- Anne Scotton, Regional Director General, Indigenous Services Canada
- Garry Best, Regional Executive, First Nations and Inuit Health Branch, ISC

Churchill

4:15pm

Closing Prayer

- Elder Gary Sault, Mississaugas of the Credit First Nation

Churchill



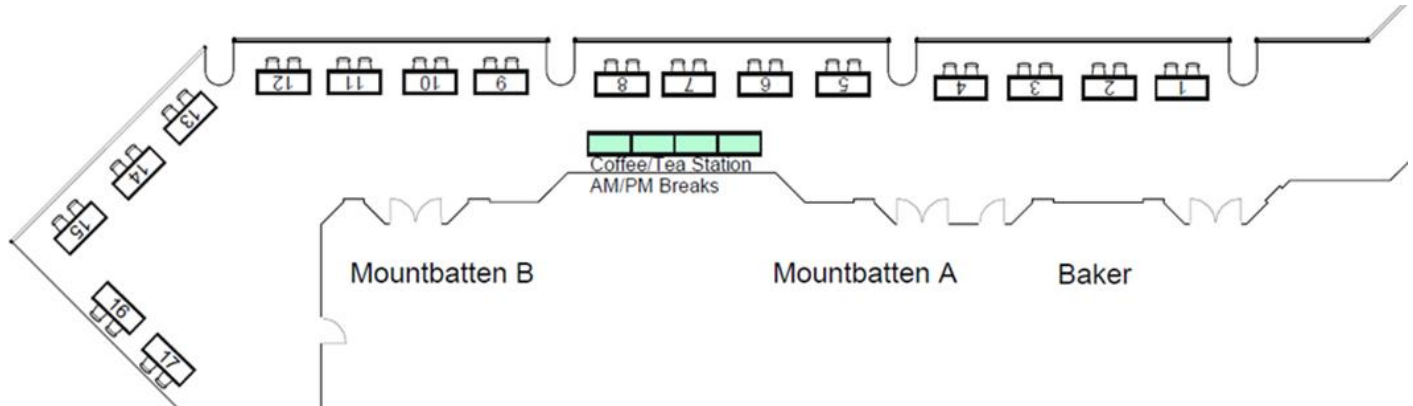
ONTARIO JOINT GATHERING

TORONTO | MAY 14-15, 2019

#ONJOINTGATHERING

Joint Gathering Exhibitors

May 14-15, 2019, 8-5pm



AFOA	8
Canada Mortgage and Housing Corporation	7
Canada Revenue Agency	9
Canadian Environmental Assessment Agency	5
Cedar Basket Youth Marketplace	19
Department of Fisheries and Oceans	12
Drone Delivery Canada	18
Environment and Climate Change Canada	5
Federal Economic Development Agency	9
First Nation Inuit Health: Environmental Health	2
First Nation Inuit Health: Jordan's Principle	3
Governance Development Network	11
Honouring Indigenous Peoples (HIP), Rotary	23
Housing Innovation	10
Indigenous Diabetes Health Circle	4
Indigenous Institutes Consortium	15
Kids Help Phone, Indigenous Services Branch	20
Midnight Shine	22
National Aboriginal Diabetes Association	4
National Defense/Canadian and Junior Rangers	24
Native Child and Family Services of Toronto	16
Ontario First Nations Technical Services Corporation	1
Ontario First Nations Young Peoples Council	21
Public Safety Canada	12
Service Canada	13
Taking IT Global/Connected North	17
Urban Indigenous Coalitions	6
Yellowhead Institute	14

